

FLOORSTANDING CABINET



- UL US
- CE
- EAC
- IEC
- RoHS
- DEKRA
- CCC



HIGHLIGHTS

HIGHLIGHTS

FRAME STRUCTURE



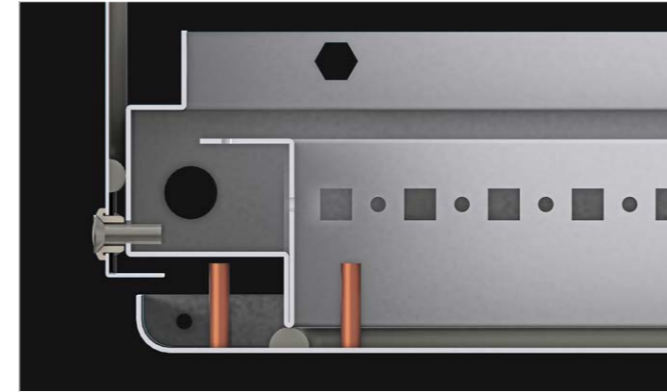
- 2 welded front-rear frames which made by 1,50 mm material
- Semi-closed vertical and Width profiles
- Closed depth profiles

EARTHING CONTINUITY

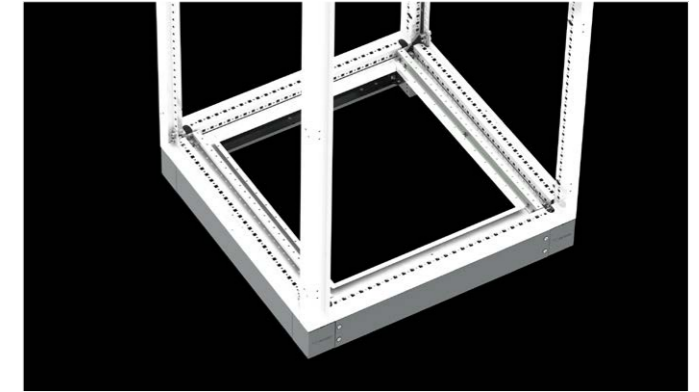


- Earthing continuity thanks to welded vertical and horizontal profiles
- Earthing continuity thanks to special design of fastener between front-rear frames and depth profiles.

IP PROTECTION and NEMA CATEGORIES



- IP 54 Protection related to EN 60 529 and NEMA 1 provided for Double Door.
- Using gasket for all door, rear door, side panel top cover etc. Due to this gasket,without any operation, full isolation is provided between -40°C & +100°C



- IP 55 Protection related to EN 60 529 and NEMA 12 provided for Single Door.
- Using gasket for all door, rear door, side panel top cover etc. Due to this gasket,without any operation, full isolation is provided between -40°C & +100°C

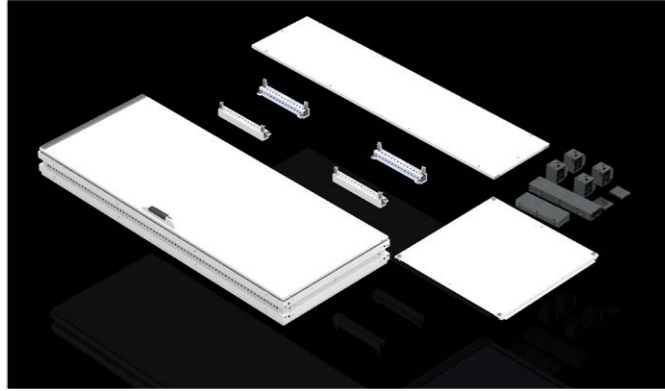
FRONT DOOR and LOCKING SYSTEM



- 4 points locking and hinging system on the outside of the frame
- Push button working system of swing handle
- Modifiable insert system from cylinder inserts to other universal inserts like doublebit, square etc.
- Perforated door stiffeners in largest positioning.

ASSEMBLING AND LOGISTICAL ADVANTAGES

ASSEMBLING STEP 1



ASSEMBLING STEP 2



ASSEMBLING STEP 3



ASSEMBLING STEP 4



- Offered as flat package, the NEO Modular system is designed for an easy mounting in minimal amount of time. It does not require angulation for body and can be mounted 15-20 min. by two person.
- Offered as flat package, the NEO Modular system saves space during transportation and storage.

You can access the NEO Modular assembly video by scanning the QR code.



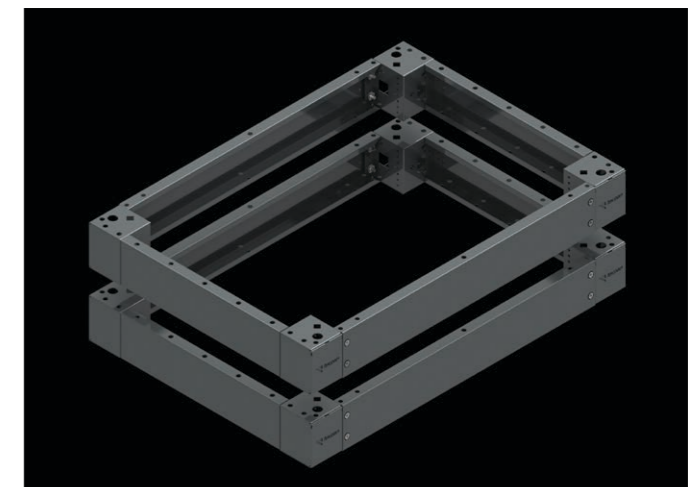
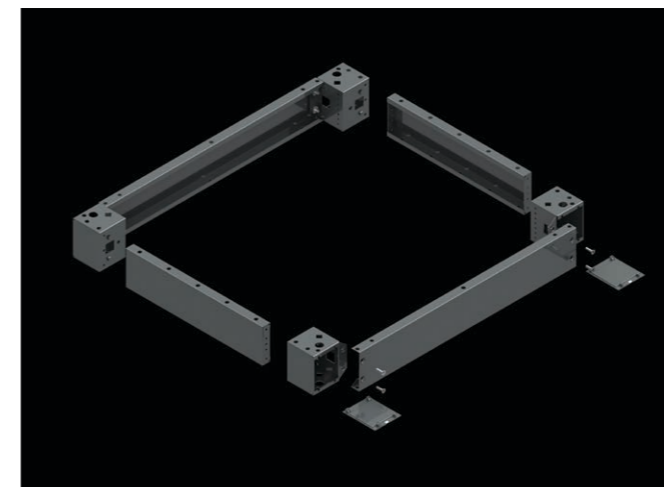
ASSEMBLING AND LOGISTICAL ADVANTAGES

MOUNTING PLATE SYSTEM



- Neo Modular and Neo Monoblock frame system are same as Teos frame related with the internal dimensions. Therefore Mounting plate system of Teos which includes 3mm thickness and 2mm thickness can adapte to Neo Modular and Neo monoblock design.

PLINTH SYSTEM



- Neo Modular and Neo monoblock frame system are same as Teos frame related with the bottom dimensions. Therefore plinth system of TEOS which includes H100mm and H200mm version can adapte to Neo Modular and Neo monoblock design.